

## Model **TORO**



### Guarantee

Frame Livetime warranty

Seat Suspension 10 years

Rest of Pieces 2 years\*

\*6-month guaranty extension by activating it on the web

### Technical Information

Frame \_\_\_\_\_ Frame of pine wood and MDF

Seat Suspension \_\_\_\_\_ N.E.A. 10 Years Guarantee

Back Suspension \_\_\_\_\_

Seat Foam \_\_\_\_\_ 40Kg foam

Seat Firmness \_\_\_\_\_ Extra Hard Foam \*

Back Cushions \_\_\_\_\_ 40kg foam

Loose Cushions \_\_\_\_\_

Legs Options \_\_\_\_\_ Standard wengue

Colors \_\_\_\_\_ Natural, cherry, walnut, black

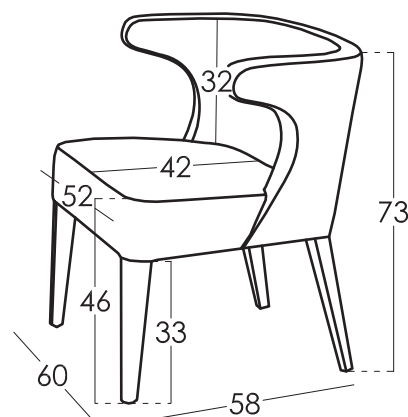
Comments: \_\_\_\_\_ \* You would like to know more?  
Check the FAQs section in our website

### Cushions Measures

### Measures

### Scheme

Width 60 cm  
 Height 73 cm  
 Depth 58 cm  
 Seat Height 46 cm  
 Arm Height 73 cm  
 Back Height 32 cm  
 Depth when open - cm  
 Net Weight - kg  
 Gross Weight 17 kg  
 Volume m3 0,28 m3



### Packaging

Shrink wrapping plastic packaging with protective corner brackets

### Options



### Types of Standard Foam

Hardness: Soft Grey colour 30Kg	Hardness: Medium White colour 35Kg	Hardness: Hard Green colour 30Kg
---------------------------------------	--	--

### Types of Fire Retardant Foam

Hardness: Medium Yellow colour 33Kg	Hardness: Soft White colour 36Kg
---	--

TORO is manufactured by Fama Sofas, whose quality system is certified by AENOR and IQNET, according to ISO 9001-2008, with certificate number ER 0790/1999.

All models have passed the tests required for granting the quality control label from Aidima-Cetem laboratories.

\* You can request a different seat hardness from the standard of the model with a small price increase

