

## Model **MOONRISE XL** Technical Information



Frame	Frame of pine wood and MDF
Seat Suspension	N.E.A. 10 Years Guarantee
Back Suspension	Webbing 80mm
Seat Foam	35Kg foam on seat cushions + fibre
Seat Firmness	Medium Foam (white) *
Back Cushions	Fibre fibersilk 100%
Loose Cushions	Fibre fibersilk 100%
Legs Options	
Colors	

### Guarantee

Frame	Lifetime warranty
Seat Suspension	10 years
Mechanisms	5 years
Rest of Pieces	2 years*

\*6-month guaranty extension by activating it on the web

Comments: \_\_\_\_\_ \* You would like to know more?  
Check the FAQs section in our website

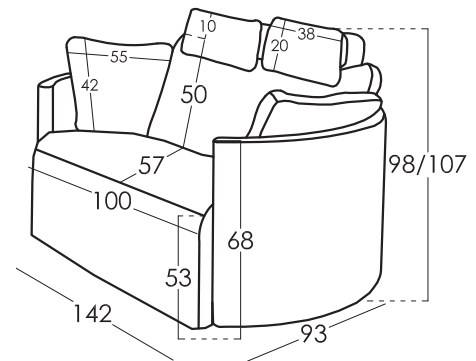
### Cushions Measures

Arm Cushion	55x42
Headrest	38x20

### Measures

Width	142 cm
Height	110 cm
Depth	98/107cm
Seat Height	53 cm
Arm Height	68 cm
Back Height	50 cm
Depth when open	152 cm
Net Weight	- kg
Gross Weight	71 kg
Volume m3	1,20 m3

### Scheme



### Packaging

Shrink wrapping plastic packaging with protective corner brackets

### Options



### Types of Standard Foam

<del>Hardness: Soft Grey colour 30Kg</del>	Hardness: Medium White colour 35Kg	Hardness: Hard Green colour 30Kg
--	--	--

### Types of Fire Retardant Foam

Hardness: Medium Yellow colour 33Kg	Hardness: Soft White colour 36Kg
---	--

\* You can request a different seat hardness from the standard of the model with a small price increase



MOONRISE XL is manufactured by Fama Sofas, whose quality system is certified by AENOR and IQNET, according to ISO 9001-2008, with certificate number ER 0790/1999. All models have passed the tests required for granting the quality control label from Aidima-Cetem laboratories.



# fama