

## Model **MOONRISE**



### Guarantee

Frame and seat suspension

Lifetime guarantee

Mechanisms 5 years

Rest of Pieces 2 years\*

\*6-month guaranty extension by activating it on the web

### Cushions Measures

Arm Cushion 42x55cm

Headrest 38x20cm

### Packaging

Shrink wrapping plastic packaging with protective corner brackets

### Options



### Types of Standard Foam

Hardness: Soft Grey colour 35Kg	Hardness: Medium White colour 35Kg	Hardness: Hard Green colour 30Kg
---------------------------------------	--	--

### Types of Fire Retardant Foam

Hardness: Medium Grey colour 41Kg	Hardness: Soft White colour 36Kg
---	--

\* You can request a different seat hardness from the standard of the model with a small price increase

### Technical Information

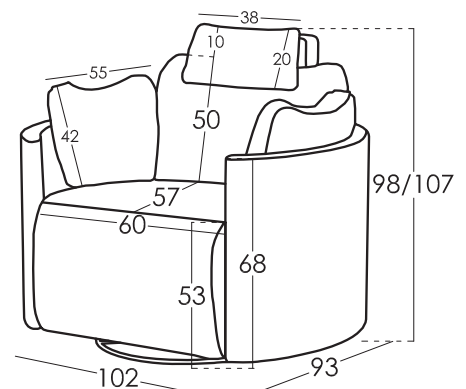
Frame	Frame of pine wood and MDF
Seat Suspension	Lifetime guarantee
Back Suspension	Webbing 80mm
Seat Foam	35Kg foam on seat cushions + fibre
Seat Firmness	Medium Foam (white) *
Back Cushions	Fibre fibersilk 100%
Loose Cushions	Fibre fibersilk 100%
Legs Options	Swivel + Rocking Base with Motor
Colors	

Comments: \* You would like to know more?  
Check the FAQs section in our website

### Measures

Width	102 cm
Height	98/117 cm
Depth	93 cm
Seat Height	53 cm
Arm Height	70 cm
Back Height	50 cm
Depth when open	152 cm
Net Weight	- kg
Gross Weight	52 kg
Volume m3	0,70 m3

### Scheme



MOONRISE is manufactured by Fama Sofas, whose quality system is certified by AENOR and IQNET, according to ISO 9001-2015, with certificate number ES-0790/1999.

All models have passed the tests required for granting the quality control label from Aidima-Cetem laboratories.



# fama