

Model **LOTO**



Technical Information

Frame	Frame of pine wood and MDF
Seat Suspension	N.E.A. 10 Years Guarantee
Back Suspension	Webbing 80mm
Seat Foam	Polyurethane 36kg+fibre+ Polyurethane 41kg
Fire Retardant Seat Firmness	Medium Hardness (grey) + soft (white)
Fire Retardant Back Cushions	Fibre fibersilk 100%
Loose Cushions	Fibre fibersilk 100%
Legs Options	Metal or wood
Colors	Natural, Cherry, Walnut, Wenge, Silver, Black

Guarantee

Frame and Seat Suspension	Lifetime warranty
Mechanisms	5 years
Rest of Pieces	2 years*

*6-month guaranty extension by activating it on the web

Comments: _____ * You would like to know more?
Check the FAQs section in our website

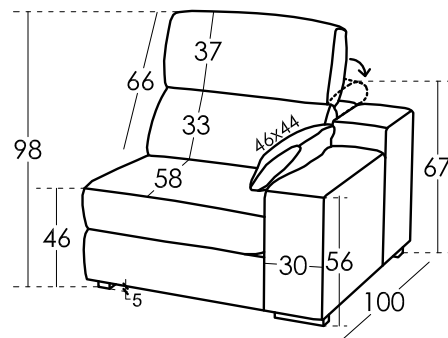
Cushions Measures

Arm cushion 46x44

Measures

Width	x cm
Height	98 cm
Depth	100 cm
Seat Height	46 cm
Arm Height	56 cm
Back Height	66 cm
Depth when open	151 cm
Net Weight	- kg
Gross Weight	- kg
Volume m3	- m3

Scheme



Packaging

Shrink wrapping plastic packaging with protective corner brackets

Options



Types of Standard Foam

Hardness: Soft Grey colour 35Kg	Hardness: Medium White colour 35Kg	Hardness: Hard Green colour 30Kg
---------------------------------------	--	--

Types of Fire Retardant Foam

Hardness: Medium Grey colour 41Kg	Hardness: Soft White colour 36Kg
---	--

* You can request a different seat hardness from the standard of the model with a small price increase



LOTO is manufactured by Fama Sofás, whose quality system is certified by AENOR and IQNET, according to ISO 9001-2015, with certificate number ES-0790/1999.

All models have passed the tests required for granting the quality control label from Aidima-Cetem laboratories.

