



Measures

Width	59 cm
Height	75/85 cm
Depth	58 cm
Seat height	48 cm
Arm height	69/79 cm
Back height	75/85 cm
Depth when open	- cm

Technical information

Frame	Frame of pine wood and MDF
Seat suspension	N.E.A.
Back suspension	
Seat foam	Polyurethane 35kg + fibre
Seat firmness	Medium Foam (white)
Back cushions	
Loose cushions	
Legs options	Swivel base, Swivel base with castors

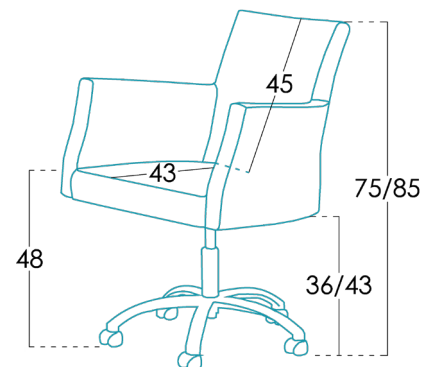
Colours

Removable cover *

Guarantee

Frame and seat suspension: lifetime warranty
Rest of pieces: 2 years
*12-month guaranty extension by activating it on the web

[Would you like to know more?](#)

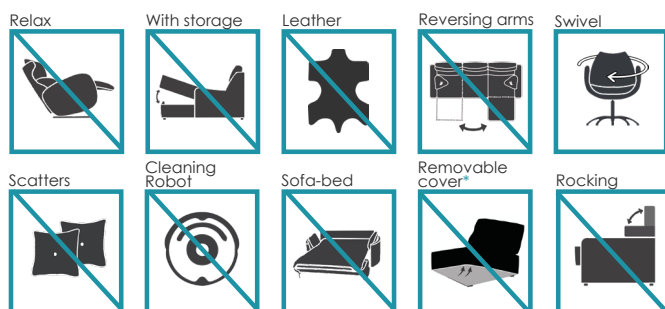


Packaging

Packaging made up of shrink wrap and edge protectors.

The packaging comes along with the design. We always optimize it, so that it takes up as little space as possible and it is easy to carry it, avoiding the use of unnecessary packing material.

Options



Sustainability

Our design is responsible as we minimize the impact of industrial activity, optimizing the entire field of design and production.

Every Fama products are PFCs Free.

At Fama Sofas, we recycle 98% of residue and waste, following the environmental policy of our company.



ELVIS is manufactured by Fama Sofas, whose quality system is certified by AENOR and IQNET according to the ISO 9001-2015 standards, with the certificate number ES-0790/1999. In addition to the Environmental Management Certificate according to ISO 14001-2019.

All models have passed the tests required for granting the quality control label from Aidima-Cetem laboratories.



ISO 9001



FAMA SOFAS S.L.U.

C/ Dr. Jiménez Díaz s/n - P.O.Box 41
30510 YECLA (Murcia) SPAIN

Tel: 968751050 / info@fama.es / www.fama.es