

Model **BOLERO**



Guarantee

Frame and Seat Suspension	Livetime warranty
Rest of Pieces	2 years*

*6-month guaranty extension by activating it on the web

Cushions Measures

Arm cushion 40 x 48 cm

Packaging

Shrink wrapping plastic packaging with protective corner brackets

Options



Types of Standard Foam

Hardness: Soft: Grey colour 30Kg	Hardness: Medium: White colour 35Kg	Hardness: Hard: Green colour 30Kg
--	---	---

Types of Fire Retardant Foam

Hardness: Medium: Yellow colour 33Kg	Hardness: Soft: White colour 36Kg
--	---

* You can request a different seat hardness from the standard of the model with a small price increase

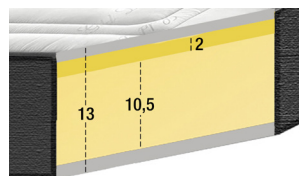
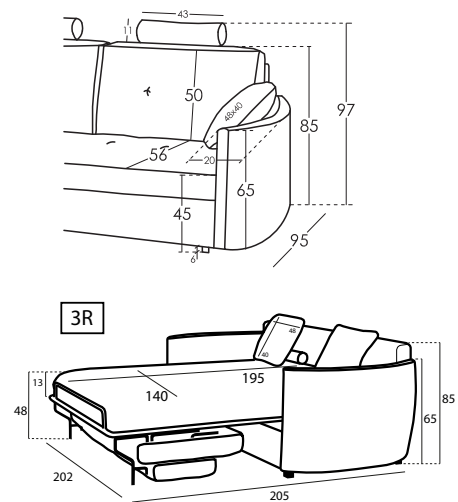
Technical Information

Frame	Frame of pine wood and MDF
Bed mechanism	Carbon steel
Seat Suspension	N.E.A. 10 Years Guarantee
Back Suspension	
Seat Foam	Polyurethane 35kg + fibre
Seat Firmness	Medium Foam (white)
Back Cushions	Fibre fibersilk 100%
Loose Cushions	Fibre fibersilk 100%
Legs Options	Wooden
Colours	Natural, Cherry, Walnut, Wengue
Comments:	* Would you like to know more? Check the FAQs section in our website

Measures

Width	x cm
Height	85 cm
Depth	95 cm
Seat Height	45 cm
Arm Height	65 cm
Back Height	50 cm
Depth when open	205 cm
Net Weight	- kg
Gross Weight	- kg
Volume m ³	- m3

Scheme



Mattress structure 195x80x13

1. Padding material
2. Viscoelastic - 2 cm
3. Hard foam 28 kg - 10.5 cm

BOLERO ARMCHAIR BED is manufactured by Fama, whose quality system is certified by AENOR and IQNET according to the ISO 9001-2015 standards, with the certificate number ES-0790/1999. In addition to the Environmental Management Certificate according to ISO 14001-2019.

All models have passed the tests required for granting the quality control label from Aidima-Cetem laboratories.



Enjoy the new design
made in Spain

fama